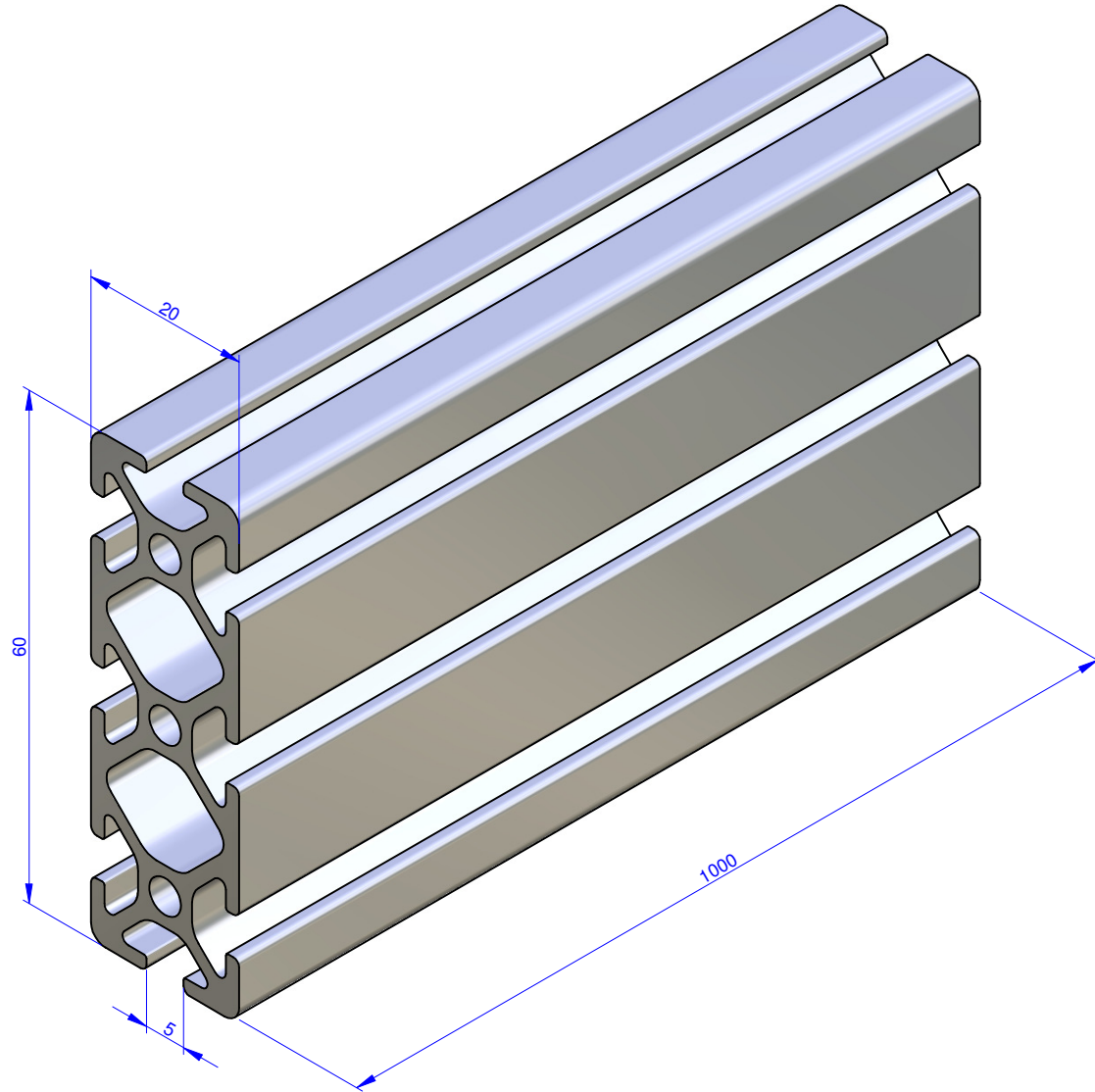


THE PROPERTY OF THIS DRAWING IS ESTABLISHED BY LAW
IT IS FORBIDDEN TO REPRODUCE IT OR SHOW IT TO THIRD PARTY
WITHOUT A WRITTEN AGREEMENT.

MODIFICATIONS:	VARIED DIMENSIONS AS OF DATE:
(7)	(10)
(8)	(11)
(9)	(12)

MODIFICATIONS:	VARIED DIMENSIONS AS OF DATE:
(1)	(4)
(2)	(5)
(3)	(6)

Format **A3**
UNI 936-76



FP Services		DESIGNED FROM FPSERVICES	
GENERAL TOLERANCE: UNI - ISO 2768 CLASSE f		DATE 05/2014	WEIGHT 0,130 kg
		CODE CA.02.01.005	

